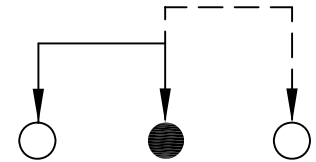
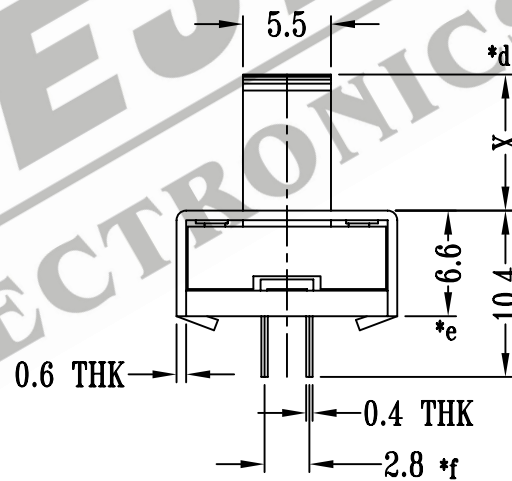
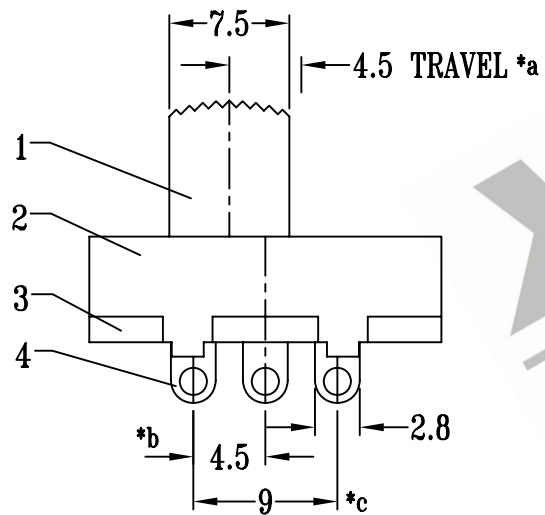
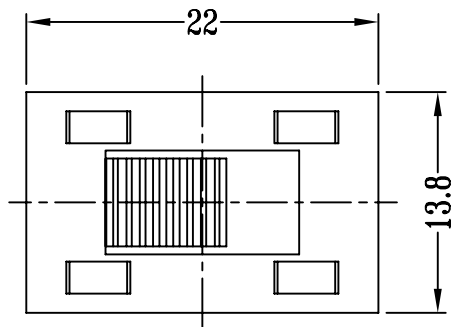
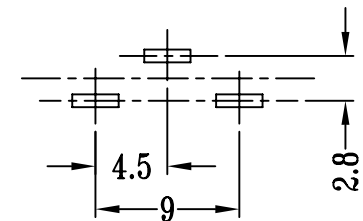


CAD FILE:



SCHEMATIC (NON-SHORTING)



P.C.B LAYOUT

注:带*表示关键尺寸(6个)

NO.	PART NAME	MATERIAL	Q'TY	FINISHING	TOLERANCE UNLESS SPECIFIED	SHENZHEN XIEJIA ELECTRONICS CO.,LTD.			
8						TITLE : VERTICAL SLIDE SWITCH			
7									
6	SPRING	STEEL WIRE	1	TEMPER	WITHIN: 1.5±0.1mm	DRWG NO.: XJ-DR-SS12I04-00			
5	CONTACT CLIP	BRASS STRIP	1	Ag PLATED	OVER : 1.5±0.2mm				
4	TERMINAL	BRASS STRIP	3	Ag PLATED OVER Ni PLATED		SCALE: 2:1			
3	BASE	PHENOLIC RESIN	1	BLACK					
2	FRAME	STEEL STRIP	1	Zn PLATED		APPD. KANGXINAN 2003-3-12			
1	KNOB	PC	1	BLACK					